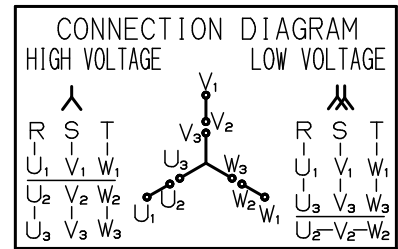
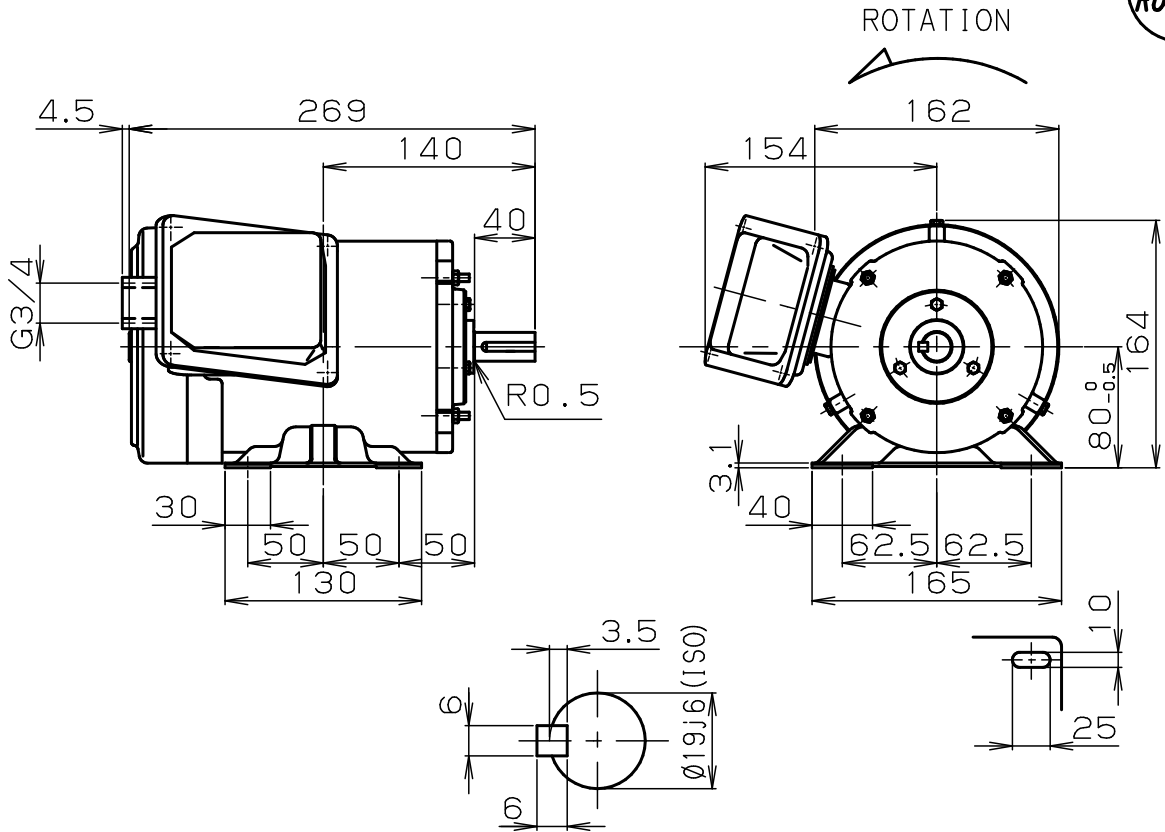


# INDUCTION MOTOR (OUTDOOR USE)

RoHS



DIMENSIONS IN mm

MLK1085B	80M	2	3	750W	200-400/200-400 220-440	50/60	2850/3420 3455
TYPE	FRAME	POLES	PH	OUTPUT	VOLT	Hz	min <sup>-1</sup>
3.1-1.6/3 2.8-1.4	-1.5	S1	155 (F)	マンセル N1.2	IP55	JISC4213	IC411
A M P	RATING	INSUL	COLOR	PROTECTION	RULE	COOLING	
81.5/81.1 82.5%	IE3/IE3 IE3					D-END	6204ZZ
E F F	IE CODE					N-END	6203ZZ
						BEARING	

CUSTOMER : \_\_\_\_\_ W. OD. \_\_\_\_\_

VIA : \_\_\_\_\_ ORDER NO. \_\_\_\_\_

APPLICATION : \_\_\_\_\_ W. NO. \_\_\_\_\_

	DATE	NAME	APPROVED		<b>Fuji Electric Co., Ltd.</b>
DRAWN					YH548193
CHECKED					
				DWG. NO	YH548193