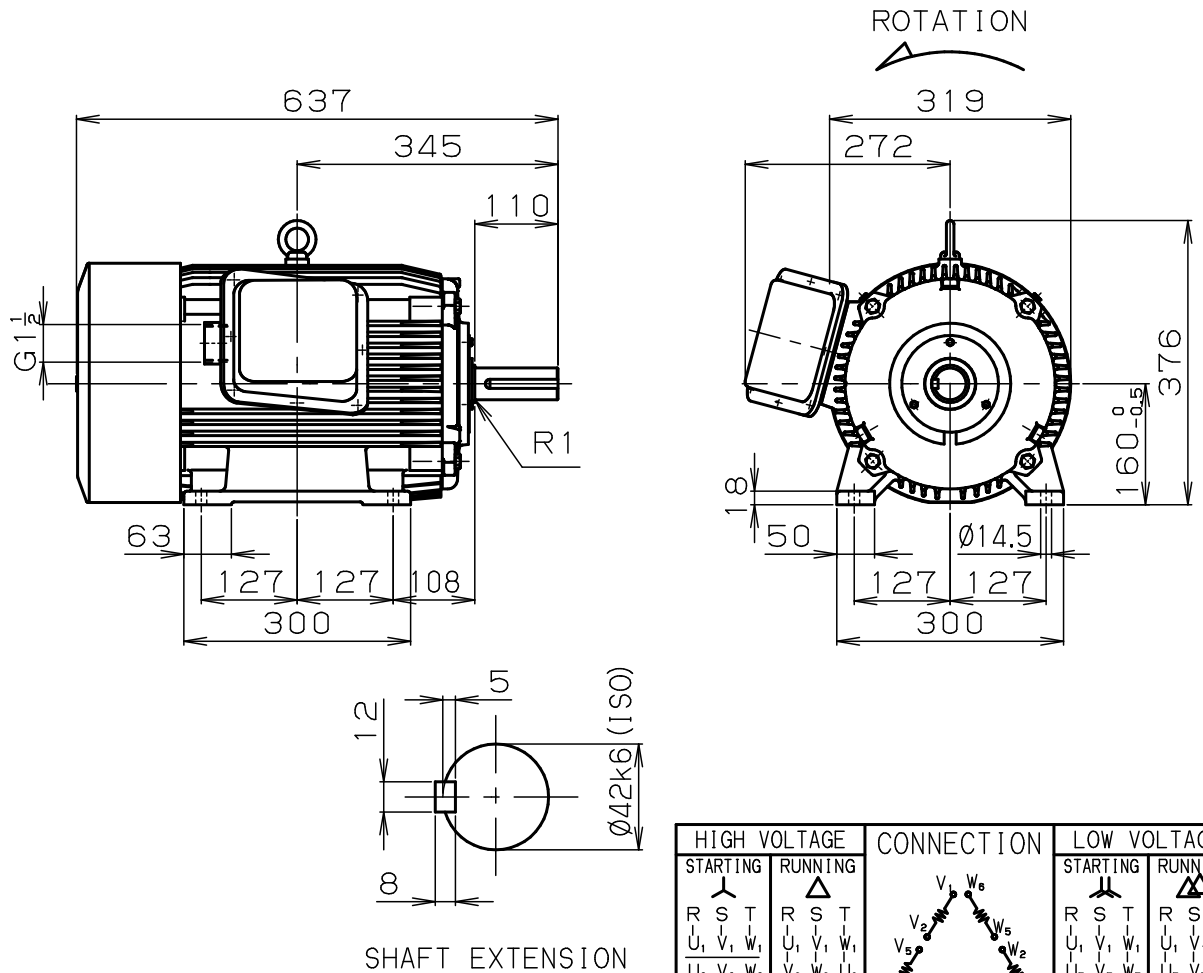
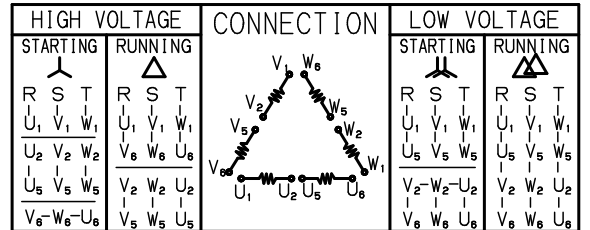


INDUCTION MOTOR (OUTDOOR USE)

RoHS



DIMENSIONS IN mm



MLU1167B	160L	6	3	11kW	200-400/200-400 220-440	50/60	980/1175 1180
TYPE	FRAME	POLES	PH	OUTPUT	VOLT	Hz	min ⁻¹
45-23/43-22 40-20		S1	155 (F)	マンセル N1.2	IP55	JISC4213	IC411
A M P	RATING	INSUL	COLOR	PROTECTION	RULE	COOLING	
90.5/90.9 91.7%	IE3/IE2 IE3					D-END	6310ZZ
E F F	IE CODE					N-END	6308ZZ
						BEARING	

CUSTOMER :	W. OD.
VIA :	ORDER NO.
APPLICATION :	W. NO. Y0122

	DATE	NAME	APPROVED		Fuji Electric Co., Ltd.
DRAWN					
CHECKED					
					DWG. NO. YH548251