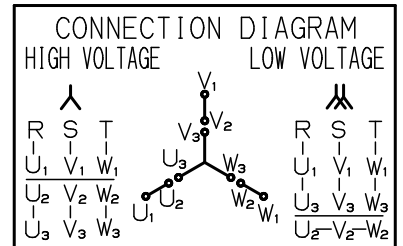
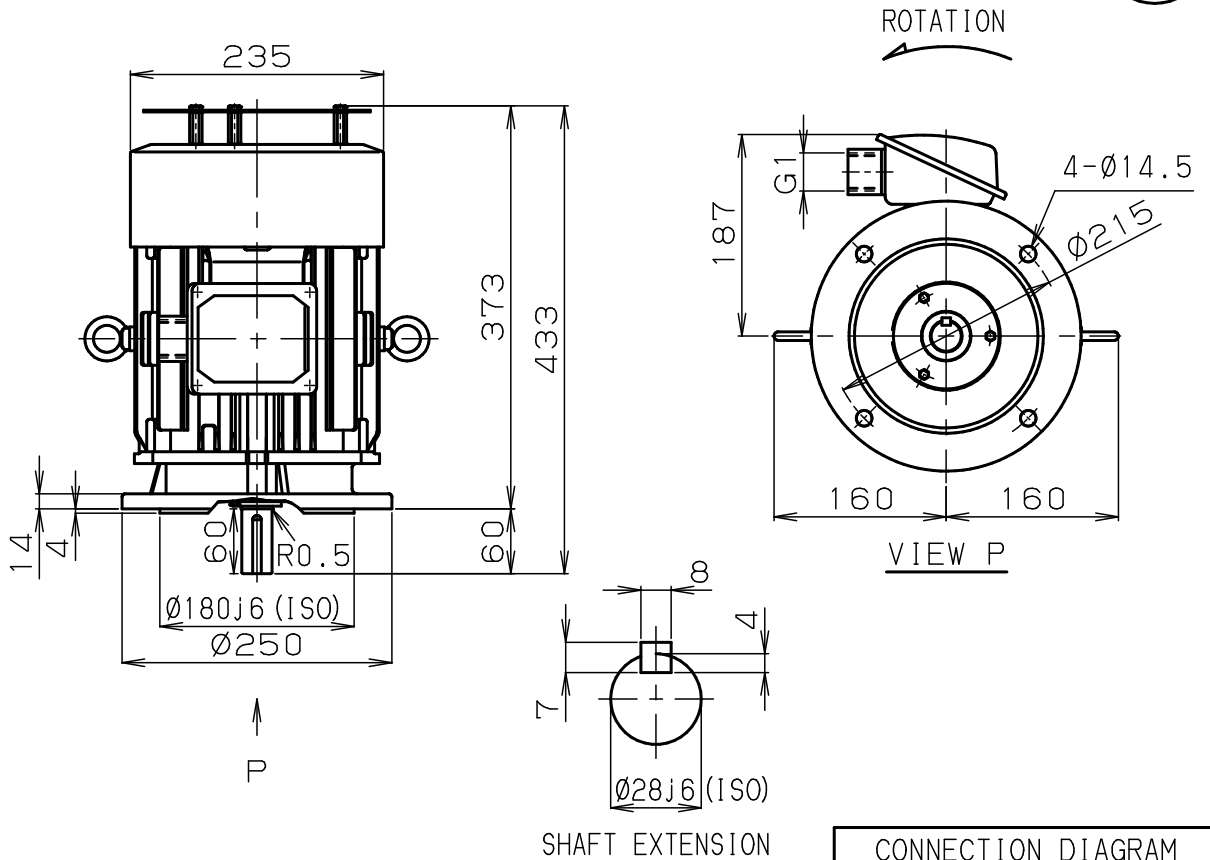


INDUCTION MOTOR (OUTDOOR USE)

RoHS

TOP
RUNNER



DIMENSIONS IN mm

MLU1115D	112M	4	3	3.7kW	200-400/200-400 220-440	50/60	1465/1755 1765
TYPE	FRAME	POLES	PH	OUTPUT	VOLT	Hz	min ⁻¹
15.5-7.8/14 -7 13.5-6.8	S1	155 (F)	マンセル N1.2	IP55	JISC4213	IC411	
A M P	RATING	INSUL	COLOR	PROTECTION	RULE	COOLING	
88.5/89.5 90.0%	IE3/IE3 IE3	FF215			D-END	6306ZZ	
E F F	IE CODE	FLANGE			N-END	6206ZZ	
					BEARING		

CUSTOMER : _____

W. OD. _____

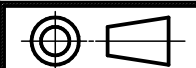
VIA : _____

ORDER NO. _____

APPLICATION : _____

W. NO. _____

	DATE	NAME	APPROVED
DRAWN			
CHECKED			



Fuji Electric Co., Ltd.

DWG. NO

YH548235

a	b	c
d	e	f