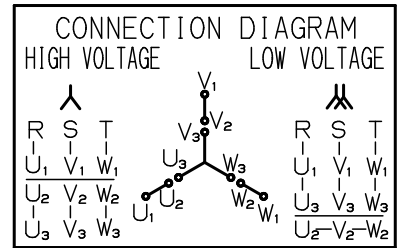
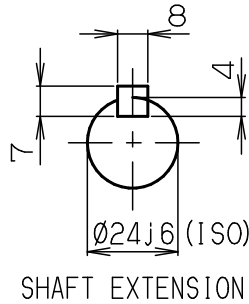
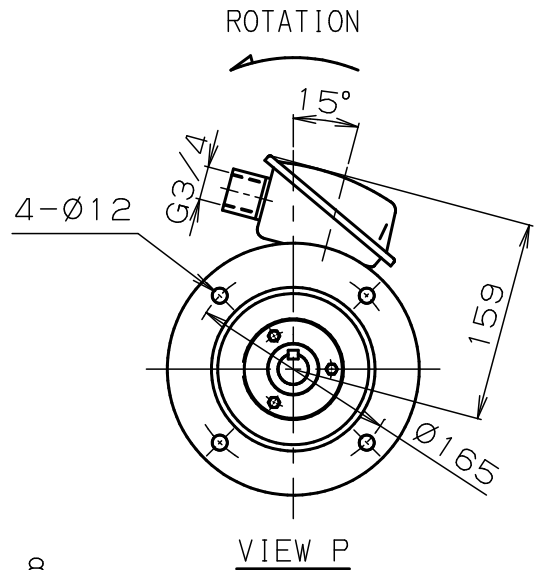
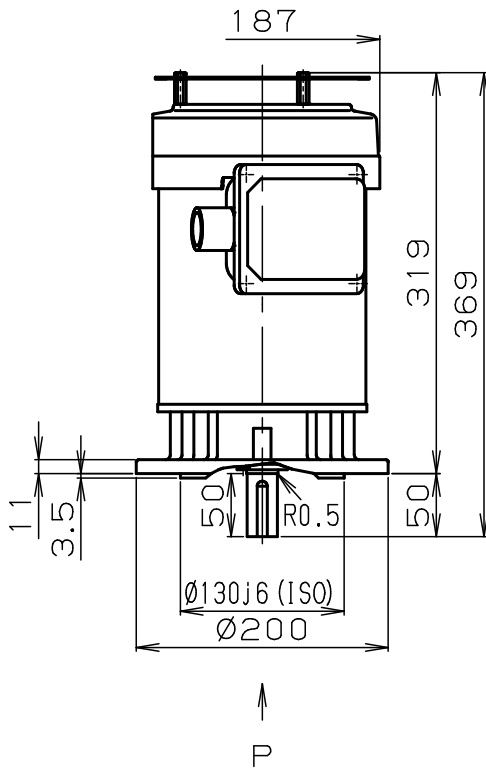


INDUCTION MOTOR (OUTDOOR USE)

RoHS



DIMENSIONS IN mm

MLK1097D	90L	4	3	1.5kW	200-400/200-400 220-440	50/60	1450/1740 1755
TYPE	FRAME	POLES	PH	OUTPUT	VOLT	Hz	min ⁻¹
6.9-3.5/6.1-3.1 5.9-3	S1	155 (F)	マンセル N1.2	IP55	JISC4213	IC411	
A M P	RATING	INSUL	COLOR	PROTECTION	RULE	COOLING	
85.8/86.9 87.8%	IE3/IE3 IE3	FF165			D-END	6205ZZ	
E F F	IE CODE	FLANGE			N-END	6205ZZ	
					BEARING		

CUSTOMER : _____
 VIA : _____
 APPLICATION : _____

W. OD. _____
 ORDER NO. _____
 W. NO. _____

	DATE	NAME	APPROVED	
DRAWN				
CHECKED				

Fuji Electric Co., Ltd.

YH548233

DWG. NO. a
b
c