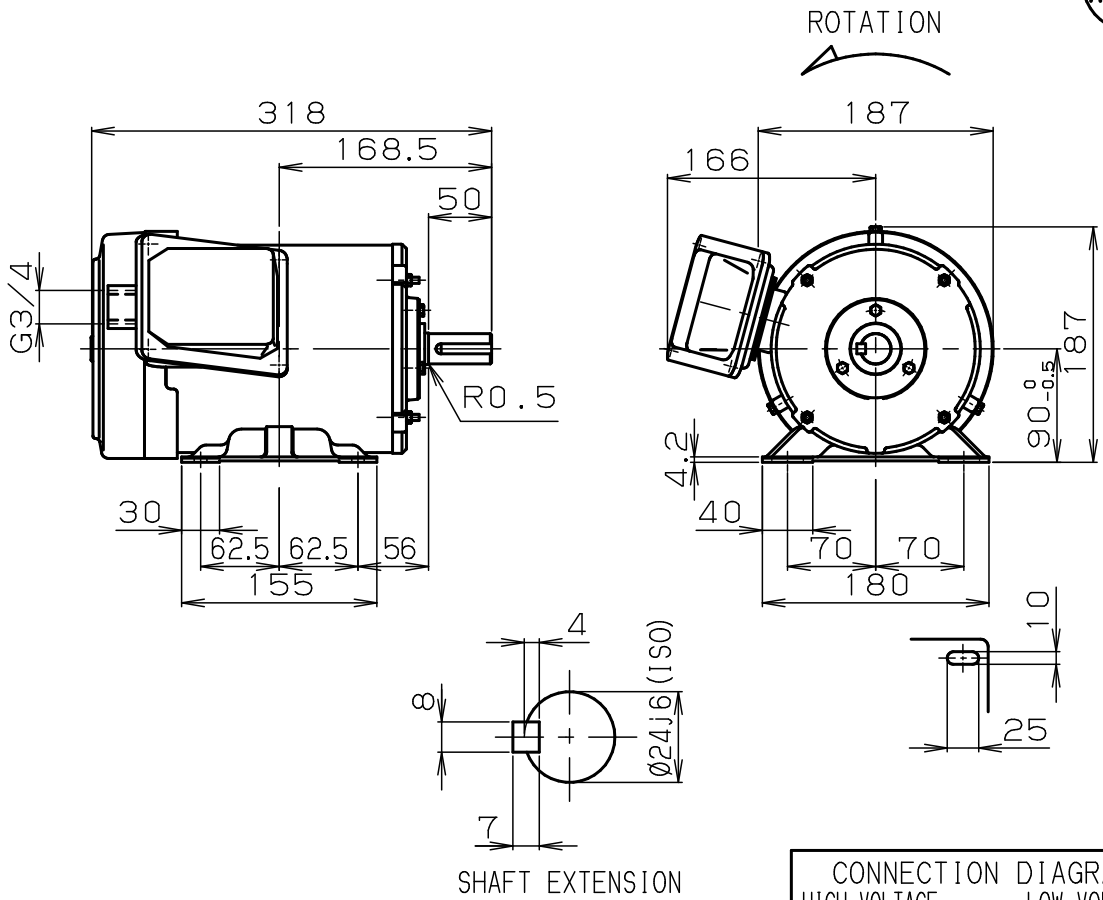


INDUCTION MOTOR (OUTDOOR USE)

RoHS

TOP
RUNNER



DIMENSIONS IN mm

MLK1096B	90L	2	3	1.5kW	200-400/200-400 220-440	50/60	2865/3435 3470
TYPE	FRAME	POLES	PH	OUTPUT	VOLT	Hz	min ⁻¹
5.6-2.8/5.6-2.8 5.1-2.6	S1	155 (F)	マンセル N1.2	IP55	JISC4213	IC411	
A M P	RATING	INSUL	COLOR	PROTECTION	RULE	COOLING	
85.8/85.6 86.0%	IE3/IE3 IE3				D-END	6205ZZ	
E F F	IE CODE				N-END	6205ZZ	
					BEARING		

CUSTOMER : _____
 VIA : _____
 APPLICATION : _____

W. OD. _____
 ORDER NO. _____
 W. NO. _____

	DATE	NAME	APPROVED		Fuji Electric Co., Ltd.
DRAWN					
CHECKED					
				DWG. NO	YH548194