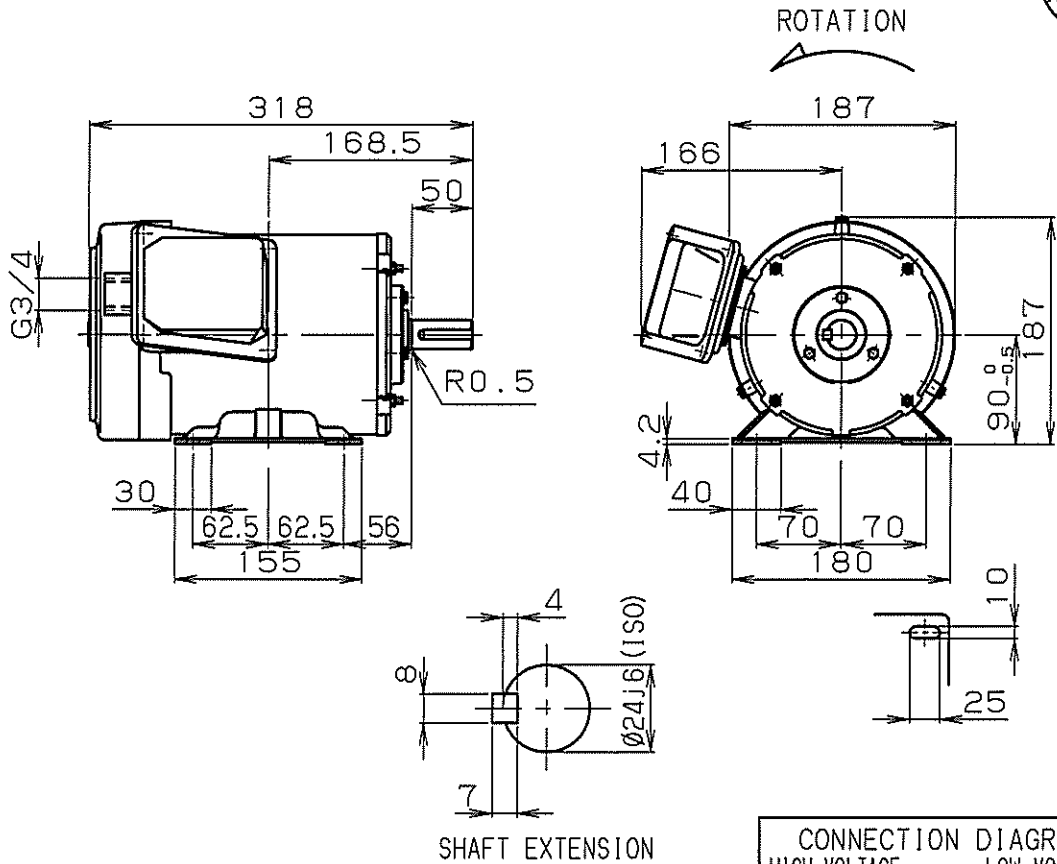


INDUCTION MOTOR

(OUTDOOR USE)

RoHS

TOP
RUNNER



DIMENSIONS IN mm

MLK1097B	90L	2	3	2.2kW	200-400/200-400 220-440	50/60	2890/3465 3490
TYPE	FRAME	POLES	PH	OUTPUT	VOLT	Hz	min ⁻¹
8.3-4.2/8.1-4.1 7.4-3.7	S1	155 (F)	マンセル N1.2	IP55	JISC4213	IC411	
A M P	RATING	INSUL	COLOR	PROTECTION	RULE	COOLING	
86.0/86.8 86.9%	IE3/IE3 IE3				D-END	6205ZZ	
E F F	IE CODE				N-END	6205ZZ	
					BEARING		

CUSTOMER :

W. OD.

VIA :

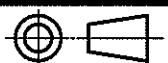
ORDER NO.

APPLICATION :

W. NO.

Y1262

	DATE	NAME	APPROVED
DRAWN			
CHECKED			



Fuji Electric Co., Ltd.

DWG. NO

YH548195

品番コード MLK1056