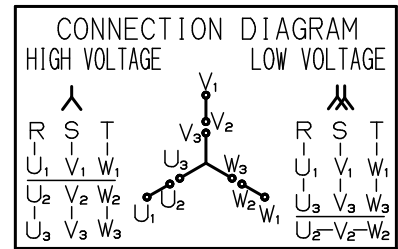
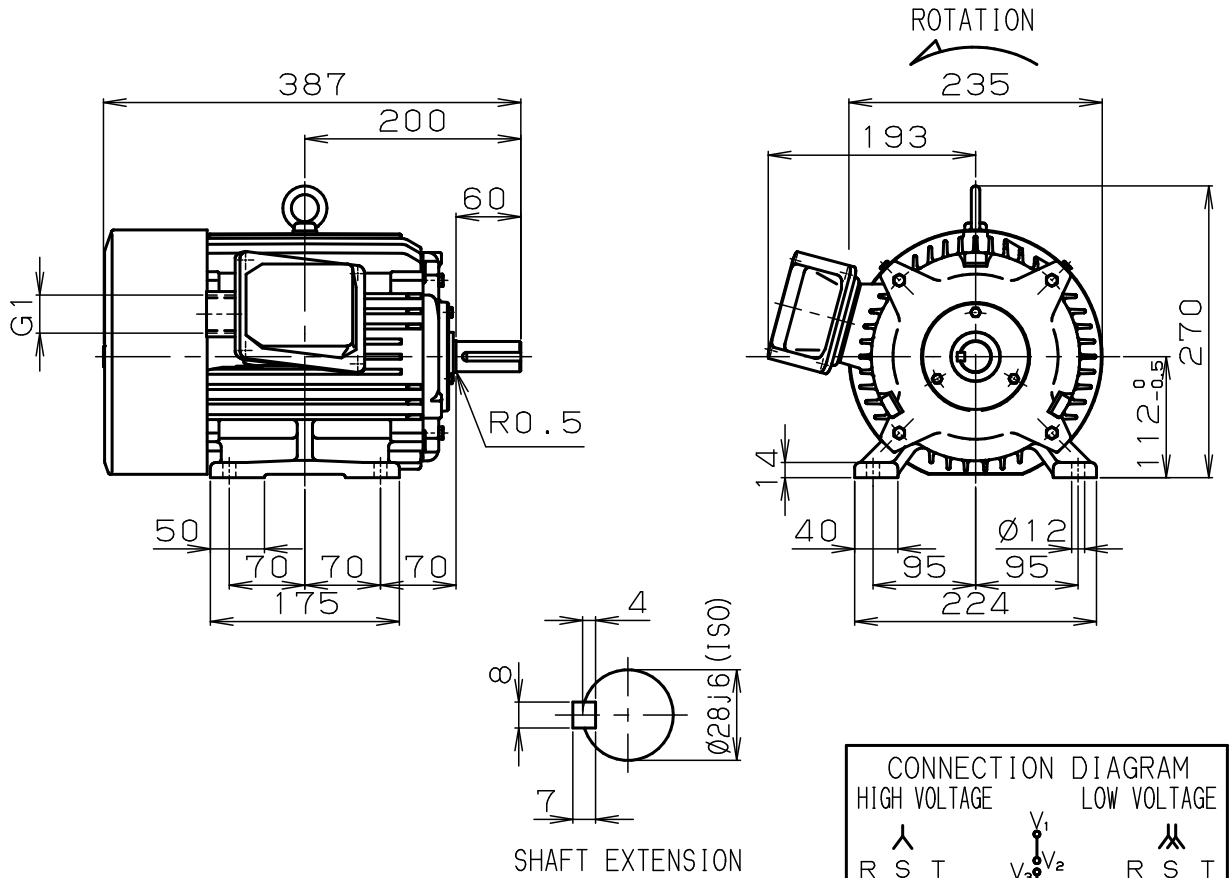


INDUCTION MOTOR (OUTDOOR USE)

RoHS



DIMENSIONS IN mm

MLU1115B	112M	2	3	3.7kW	200-400/200-400 220-440	50/60	2930/3510 3530
TYPE	FRAME	POLES	PH	OUTPUT	VOLT	Hz	min ⁻¹
13-6.5/13-6.5 12-6	S1	155 (F)	マンセル N1.2	IP55	JISC4213	IC411	
A M P	RATING	INSUL	COLOR	PROTECTION	RULE	COOLING	
88.8/88.5 89.3%	IE3/IE3 IE3				D-END	6306ZZ	
E F F	IE CODE				N-END	6206ZZ	
					BEARING		

CUSTOMER : _____

VIA : _____

APPLICATION : _____

W. OD. _____

ORDER NO. _____

W. NO. _____

	DATE	NAME	APPROVED		Fuji Electric Co., Ltd.
DRAWN					
CHECKED					
				DWG. NO	YH548196