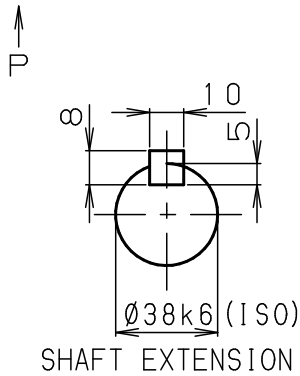
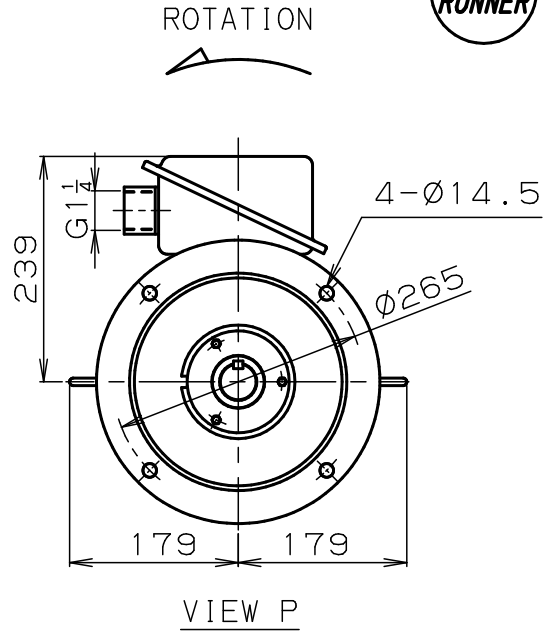
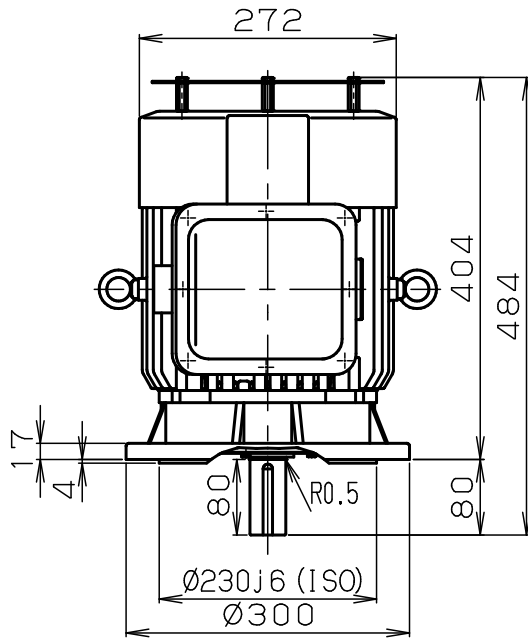


INDUCTION MOTOR (OUTDOOR USE)

RoHS



HIGH VOLTAGE		CONNECTION	LOW VOLTAGE	
STARTING	RUNNING		STARTING	RUNNING
 R S T U ₁ V ₁ W ₁ U ₂ V ₂ W ₂ U ₃ V ₃ W ₃ U ₄ V ₄ W ₄	 R S T U ₁ V ₁ W ₁ U ₂ V ₂ W ₂ U ₃ V ₃ W ₃ U ₄ V ₄ W ₄	 V ₁ W ₄ V ₂ W ₃ V ₃ W ₂ U ₁ U ₂ U ₃ U ₄	 R S T U ₁ V ₁ W ₁ U ₃ V ₃ W ₃ V ₂ -W ₂ -U ₂ V ₄ W ₄ U ₄	 R S T U ₁ V ₁ W ₁ U ₃ V ₃ W ₃ V ₂ W ₂ U ₂ V ₄ W ₄ U ₄

DIMENSIONS IN mm

MLU1132D	132S	2	3	5.5kW	200-400/200-400 220-440	50/60	2935/3525 3540
TYPE	FRAME	POLES	PH	OUTPUT	VOLT	Hz	min ⁻¹
20-10/19.5-9.8 18 -9	S1	155 (F)	マンセル N1.2	IP55	JISC4213	IC411	
A M P	RATING	INSUL	COLOR	PROTECTION	RULE	COOLING	
89.7/89.5 90.0%	IE3/IE3 IE3	FF265			D-END	6308ZZ	
E F F	IE CODE	FLANGE			N-END	6207ZZ	
					BEARING		

CUSTOMER : _____

VIA : _____

APPLICATION : _____

W. OD. _____

ORDER NO. _____

W. NO. _____

	DATE	NAME	APPROVED	
DRAWN				
CHECKED				

DWG. NO	Fuji Electric Co., Ltd.							
	YH548210	<table border="1" style="border-collapse: collapse;"> <tr><td style="width: 10px;">a</td><td style="width: 10px;">b</td><td style="width: 10px;">c</td></tr> <tr><td> </td><td> </td><td> </td></tr> </table>	a	b	c			
a	b	c						