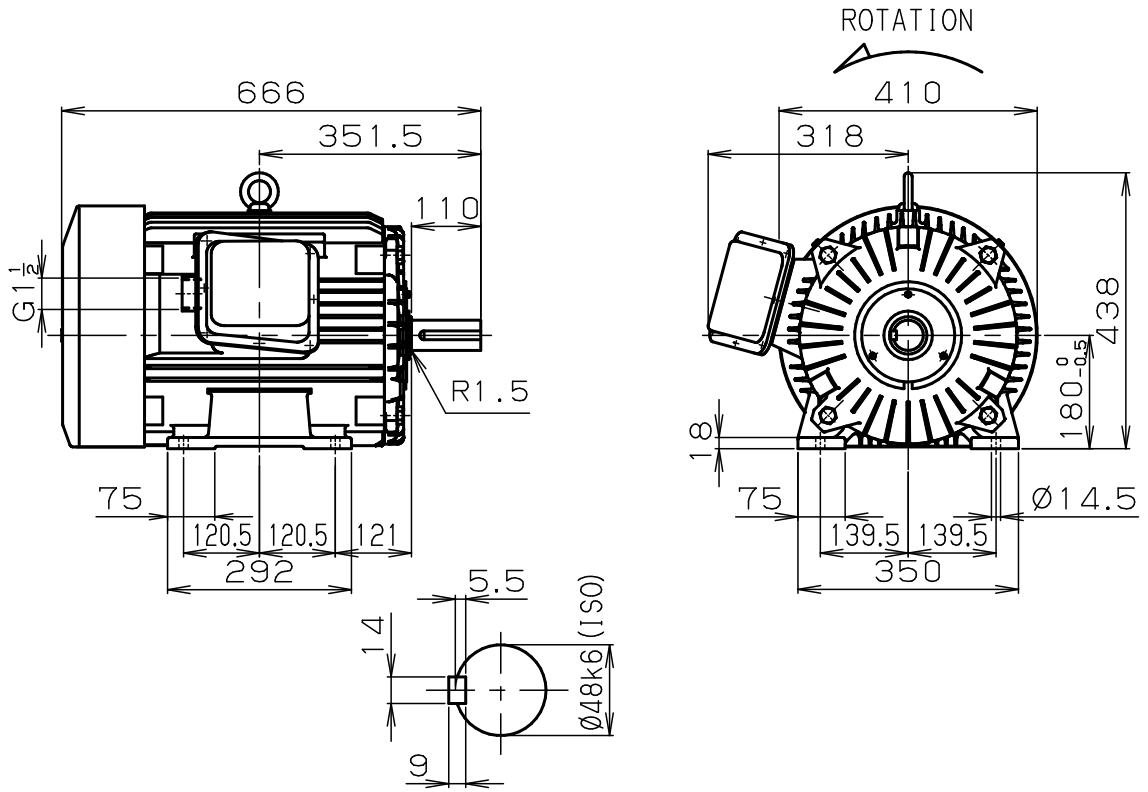
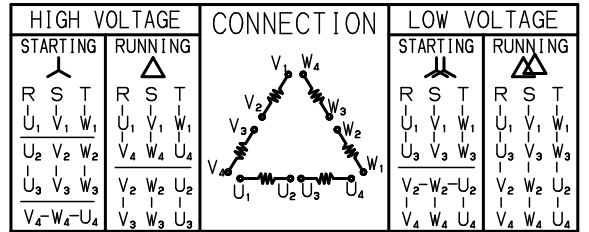


INDUCTION MOTOR (OUTDOOR USE)

RoHS



SHAFT EXTENSION



DIMENSIONS IN mm

MLU1185B	180M	6	3	15kW	200-400/200-400 220-440	50/60	980/1175 1180
TYPE	FRAME	POLES	PH	OUTPUT	VOLT	Hz	min ⁻¹
60-30/57-28.5 53-26.5	S1	155 (F)	マツセル N1.2	IP55	JISC4213	IC411	
A M P	RATING	INSUL	COLOR	PROTECTION	RULE	COOLING	
91.8/91.9 92.9%	IE3/IE3 IE3				D-END	6312ZZ	
E F F	IE CODE				N-END	6310ZZ	
					BEARING		

CUSTOMER :	W. OD.
VIA :	ORDER NO.
APPLICATION :	W. NO.

	DATE	NAME	APPROVED		Fuji Electric Co., Ltd.		
DRAWN							
CHECKED							
					DWG. NO. YH548252		