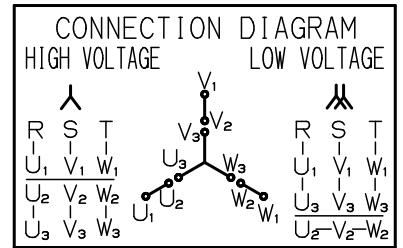
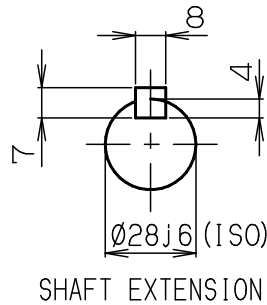
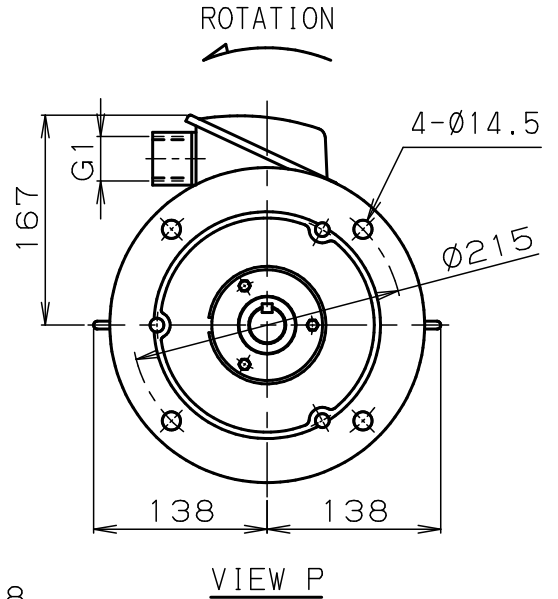
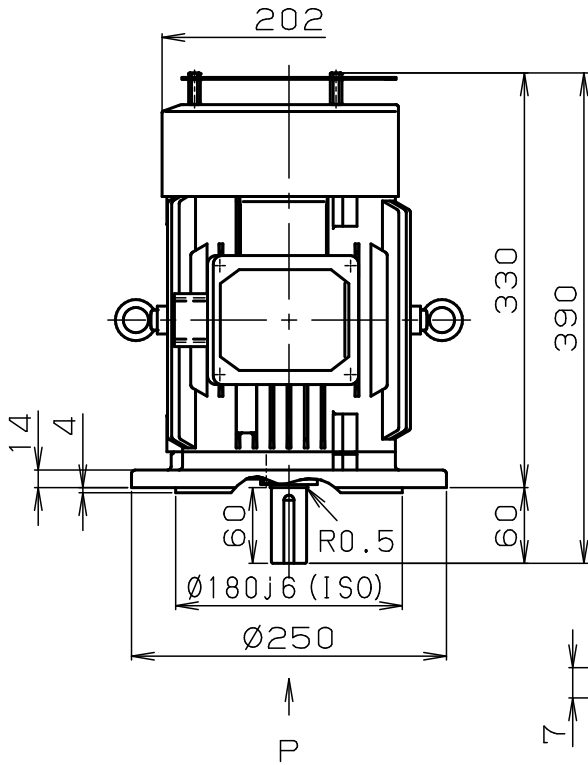


INDUCTION MOTOR (OUTDOOR USE)

RoHS

TOP
RUNNER



DIMENSIONS IN mm

MLU1107D	100L	4	3	2.2kW	200-400/200-400 220-440	50/60	1450/1740 1755
TYPE	FRAME	POLES	PH	OUTPUT	VOLT	Hz	min ⁻¹
9.5-4.8/8.5-4.3 8.3-4.2	S1	155 (F)	マンセル N1.2	IP55	JISC4213	IC411	
A M P	RATING	INSUL	COLOR	PROTECTION	RULE	COOLING	
88.5/89.5 89.9%	IE3/IE3 IE3	FF215			D-END	6206ZZ	
E F F	IE CODE	FLANGE			N-END	6205ZZ	
					BEARING		

CUSTOMER : _____

VIA : _____

APPLICATION : _____

W. OD. _____

ORDER NO. _____

W. NO. _____

	DATE	NAME	APPROVED	
DRAWN				
CHECKED				

DWG. NO	YH548234			
---------	----------	--	--	--

Fuji Electric Co., Ltd.