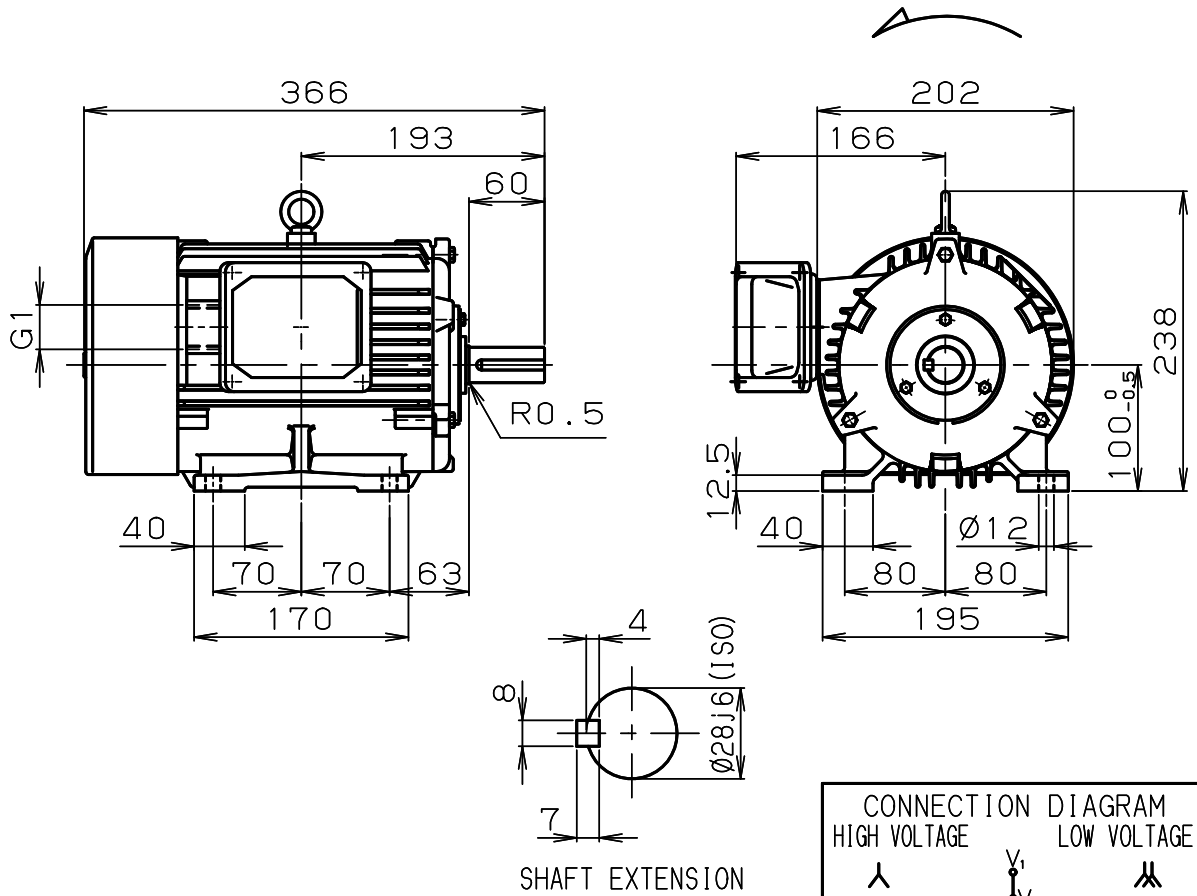


INDUCTION MOTOR (OUTDOOR USE)

RoHS

TOP
RUNNER



DIMENSIONS IN mm

MLU1107B	100L	6	3	1.5kW	200-400/200-400 220-440	50/60	970/1160 1170
TYPE	FRAME	POLES	PH	OUTPUT	VOLT	Hz	min ⁻¹
7.5-3.8/6.6-3.3 6.5-3.3	S1	155 (F)	マツセル N1.2	IP55	JISC4213	IC411	
A M P	RATING	INSUL	COLOR	PROTECTION	RULE	COOLING	
86.7/88.5 88.7%	IE3/IE3 IE3				D-END	6206ZZ	
E F F	IE CODE				N-END	6205ZZ	
					BEARING		

CUSTOMER :	W. OD.
VIA :	ORDER NO.
APPLICATION :	W. NO. Y0117

	DATE	NAME	APPROVED		Fuji Electric Co., Ltd.
DRAWN					YH548246
CHECKED					
				DWG. NO	YH548246